



Philadelphia Hardware Group, Inc.

6590 Top Gun Street
San Diego, CA 92121
www.philihardware.com

Tel

858.642.0450

858.545.2309

Fax

858.642.0454

KEYPAD

ELECTRONIC LEVER LOCK



FEATURES

- Operate by keypad or mechanical key.
- Beeper sound while pressing number.
- Auto-locking function.
- Powered by four AA (1.5V) Alkaline batteries.
- Fits standard door prep., Cross bore: 2-1/8". No extra mounting hole required.
- One Programming Code for setting functions, up to 6 sets User Code for door access.
- High security code length 4-10 digits.
- User code can be deleted individually or all at once.
- Easy to restore default setting if owner forgot Programming Code.
- Avoid invalid code input for security protection.
- Low power consumption and low battery notification.
- LED illumination, able to operate in the dark.

SAN DIEGO

•

CHICAGO

•

SEATTLE



Philadelphia Hardware Group, Inc.

6590 Top Gun Street
San Diego, CA 92121
www.philihardware.com

Tel
858.642.0450
858.545.2309
Fax
858.642.0454

SPECIFICATION

Function Entrance

Door Prep Cross bore: 2-1/8"
Edge bore: 1"

Backset Adjustable 2-3/8" and 2-3/4"

Door Thickness Fits 1-3/8" ~ 1-3/4"

Cylinder SC1 standard, KW1 available

Faceplate 1" x 2-1/4" round corner, and Drive-In.

Strike Standard:
9103 – 1-3/4" x 2-1/4" full lip strike, round corner.
Optional:
9111 – 1-1/8" x 2-3/4" "T" type with tab

Latch 1/2" throw, 4-way design.
Adjustable for 2-3/8" and 2-3/4" backset.
Standard with Mortise round corner, can be changed to Drive-In latch.

Door Handing Reversible Lever.



Easy to install



Keyless Access



Code Protection



Battery Powered

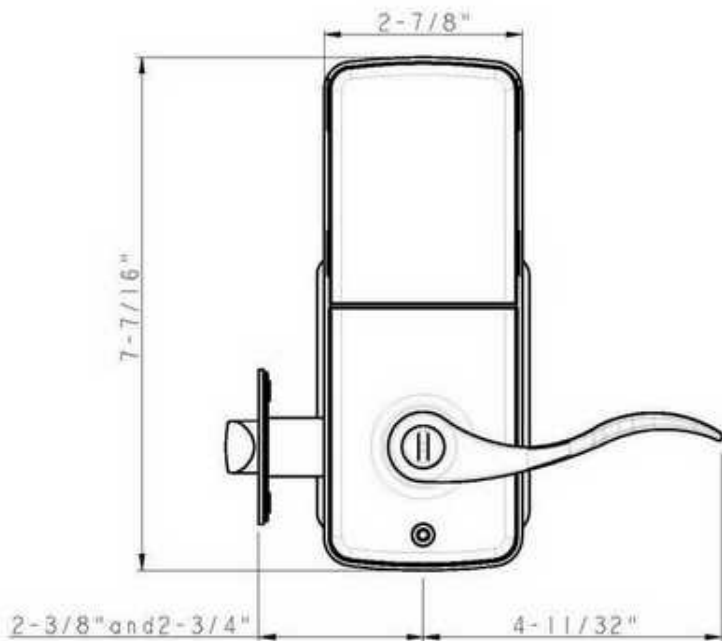
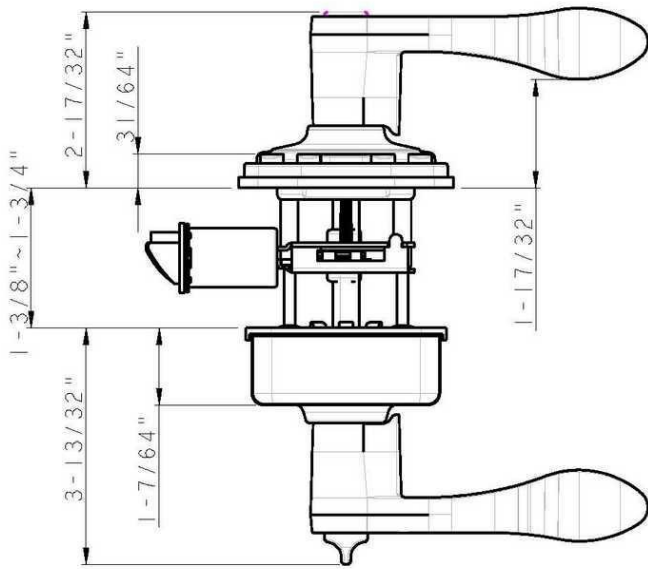


6590 Top Gun Street
San Diego, CA 92121
www.philihardware.com

Philadelphia Hardware Group, Inc.

Tel
858.642.0450
858.545.2309
Fax
858.642.0454

DIMENSIONS



SAN DIEGO

•

CHICAGO

•

SEATTLE